

# FD-40A

## SERVICE MANUAL

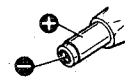
US Model



### SPECIFICATIONS


|                     |  |                    |  |
|---------------------|--|--------------------|--|
| TV standard         | American TV standards  | Power requirements | 6 V dc:<br>Batteries   |
| TV channel coverage | VHF channel 2-13<br>UHF channels 14-69   |                    | four size C alkaline batteries (IEC designation LR14)  |
| Antenna             | VHF/UHF telescopic antenna   |                    | BP-16H rechargeable battery pack (optional)  |
| Picture tube        | 10-cm (4-inch) picture measured diagonally   |                    | DC IN 6V jack accepts:   |
| Speaker             | Approx. 5 cm (2 inches) dia.   |                    | AC-40A AC power adaptor (optional)   |
| Input               | A/V IN jack (AV jack)<br>Video input: 1 V p-p, 75 ohm unbalanced, sync negative<br>Audio input: -5 dBs (436 mVrms), 30 kilohms   |                    | for use on 120 V ac, 60 Hz   |
| Output              | Earphone/headphones jack (minijack) load impedance 8-300 ohms  | Dimensions         | Approx. 127.5 × 215.5 × 65.5 mm (w/h/d)<br>(5 1/8 × 8 1/2 × 2 5/8 inches)<br>incl. projecting parts and controls   |
| Battery life        | Watching TV at a normal sound level and normal temperatures, you can expect the following batteries to last for:<br>Sony Eveready AM2 alkaline batteries or Eveready No.E93 alkaline batteries, approx. 4 hours. | Weight             | Approx. 120 × 210 × 65 mm (w/h/d)<br>(4 3/4 × 8 3/8 × 2 5/8 inches)<br>not incl. projecting parts and controls<br>Approx. 1.2 kg (2 lb 11 oz) incl. batteries<br>Approx. 0.93 kg (2 lb 1 oz) not incl. batteries |

**Note:** Use only an ac power adaptor or car battery cord manufactured by Sony. Polarity of the plug of other manufacturers may be different.



Polarity of Sony plug

#### SAFETY-RELATED COMPONENT WARNING!!

COMPONENTS IDENTIFIED BY SHADING AND MARK  ON THE SCHEMATIC DIAGRAMS AND IN THE PARTS LIST ARE CRITICAL TO SAFE OPERATION. REPLACE THESE COMPONENTS WITH SONY PARTS WHOSE PART NUMBERS APPEAR AS SHOWN IN THIS MANUAL OR IN SUPPLEMENTS PUBLISHED BY SONY.



FLAT BLACK AND WHITE TV  
**SONY**<sup>®</sup>



## SAFETY CHECK-OUT

After correcting the original service problem, perform the following safety checks before releasing the set to the customer:

1. Check the area of your repair for unsoldered or poorly-soldered connections. Check the entire board surface for solder splashes and bridges.
2. Check the interboard wiring to ensure that no wires are "pinched" or contact high-wattage resistors.
3. Check that all control knobs, shields, covers, ground straps, and mounting hardware have been replaced. Be absolutely certain that you have replaced all the insulators.
4. Look for unauthorized replacement parts, particularly transistors, that were installed during a previous repair. Point them out to the customer and recommend their replacement.
5. Look for parts which, though functioning, show obvious signs of deterioration. Point them out to the customer and recommend their replacement.
6. Check the line cord for cracks and abrasion. Recommend the replacement of any such line cord to the customer.
7. Check the condition of the monopole antenna (if any).  
Make sure the end is not broken off, and has the plastic cap on it. Point out the danger of impalement on a broken antenna to the customer, and recommend the antenna's replacement.
8. Check the B+ and HV to see they are at the values specified. Make sure your instruments are accurate; be suspicious of your HV meter if sets always have low HV.
9. Check the antenna terminals, metal trim, "metallized" knobs, screws, and all other exposed metal parts for AC leakage. Check leakage as described below.

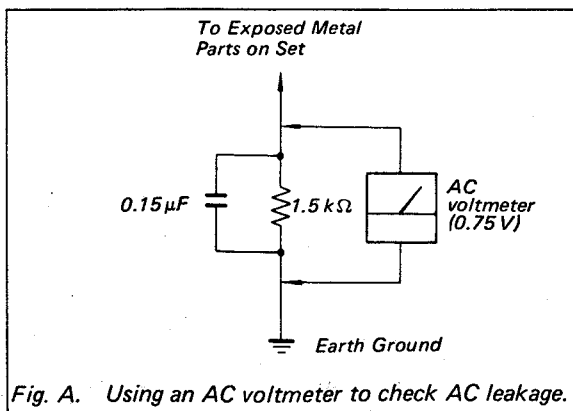


Fig. A. Using an AC voltmeter to check AC leakage.

## LEAKAGE TEST

The AC leakage from any exposed metal part to earth ground and from all exposed metal parts to any exposed metal part having a return to chassis, must not exceed 0.5 mA (500 microampers). Leakage current can be measured by any one of three methods.

1. A commercial leakage tester, such as the Simpson 229 or RCA WT-540A. Follow the manufacturers' instructions to use these instruments.
2. A battery-operated AC milliammeter. The Data Precision 245 digital multimeter is suitable for this job.
3. Measuring the voltage drop across a resistor by means of a VOM or battery-operated AC voltmeter. The "limit" indication is 0.75 V, so analog meters must have an accurate low-voltage scale. The Simpson 250 and Sanwa SH-63Trd are examples of a passive VOM that is suitable. Nearly all battery operated digital multimeters that have a 2V AC range are suitable. (See Fig. A)

## HOW TO FIND A GOOD EARTH GROUND

A cold-water pipe is guaranteed earth ground; the cover-plate retaining screw on most AC outlet boxes is also at earth ground. If the retaining screw is to be used as your earth-ground, verify that it is at ground by measuring the resistance between it and a cold-water pipe with an ohmmeter. The reading should be zero ohms. If a cold-water pipe is not accessible, connect a 60-100 watts trouble light (not a neon lamp) between the hot side of the receptacle and the retaining screw. Try both slots, if necessary, to locate the hot side of the line, the lamp should light at normal brilliance if the screw is at ground potential. (See Fig. B)

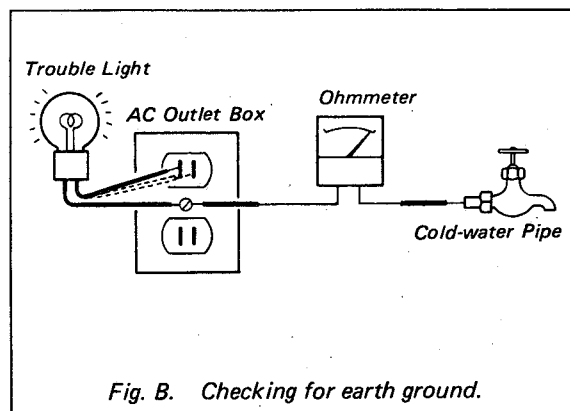


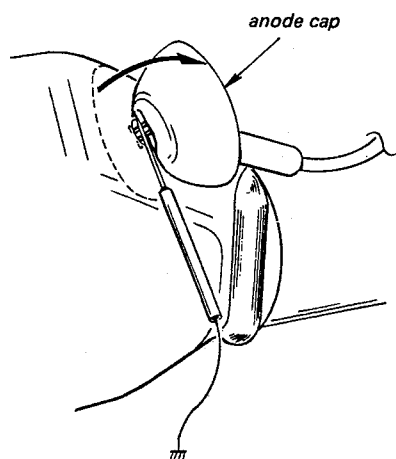
Fig. B. Checking for earth ground.

**NOTE ON THE ANODE CAP REMOVAL**

Even when the power switch is off, the voltage at the anode cap is still high.

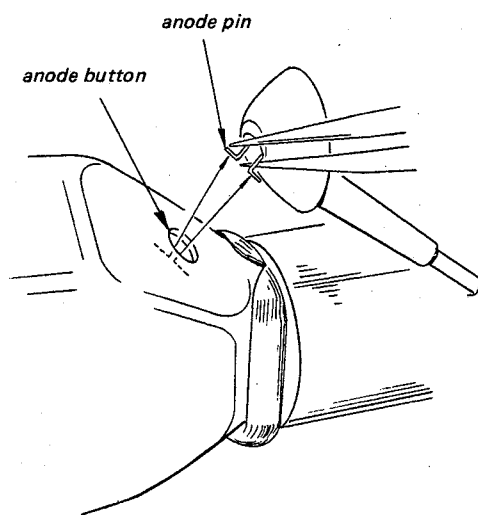
Remove the anode cap as follows.

1. Discharge the anode pin to the ground.



2. Pinch and remove the anode pin with a pair of tweezers.

At this time, be careful not to scratch the anode button.



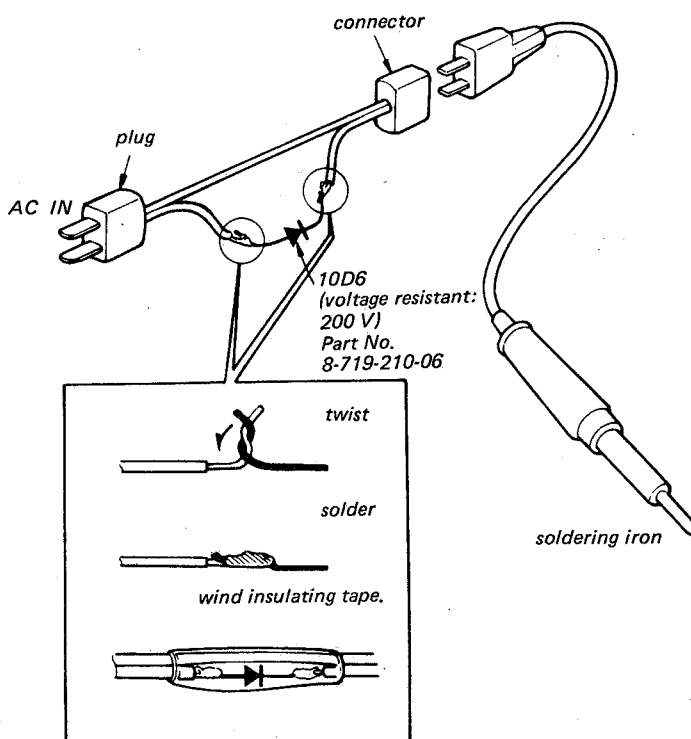
**Caution on Reinstallation :**

Confirm that the anode button is inserted into the anode cap securely.

**Flexible Circuit Board Repairing**

1. Keep the temperature of the soldering iron at  $270^{\circ} \pm 10^{\circ}C$  during repairing. You can maintain the temperature of the soldering iron around  $270^{\circ}C$  by using the thermal controller as illustrated on the right.
2. Do not touch the soldering iron more than 4 seconds or 4 times on the same conductor of the circuit board.
3. Do not apply force on the conductor when soldering or unsoldering.

**To make thermal controller of soldering iron**



**Tip of soldering iron**



## SERVICING NOTE

**Replacing chip components**

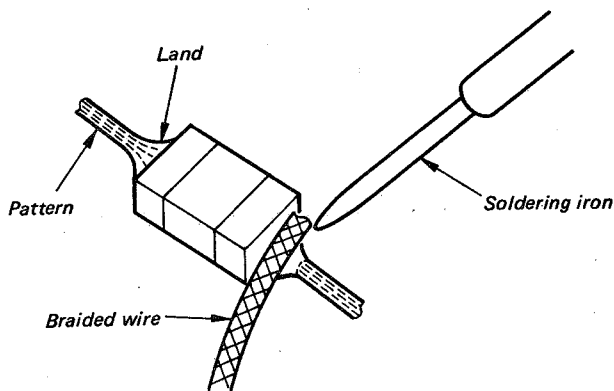
All chip components should be connected and disconnected, using a tapered soldering iron [temperature of the iron tip: less than 280°C (536°F)], a pair of tweezers and braided wire.

**Precautions for replacement**

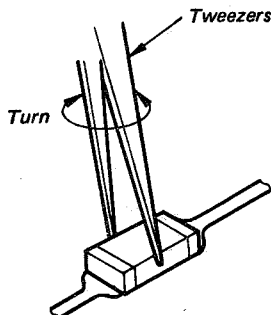
1. Do not disconnect the chip component forcefully. Otherwise, the pattern may peel off.
2. Never re-use a disconnected chip component. Dispose of all old chip components.
3. To protect the chip component, heating time for attaching the component should be within 3 seconds.

○ **Removing chip components****(1) Removing solder at electrode**

Remove the solder at the electrode, using a thin braided wire. Do not remove the solder of the part (chip component) attached adjacent to the electrode.

**(2) Disconnecting chip components**

Turn the tweezers with the soldering iron alternately applied to both electrodes, and the chip component will be disconnected. Take careful precautions while disconnecting, because if the chip component is forcefully removed the land may peel off. Never re-use a disconnected chip component.

**(3) Smoothing the soldered surface**

After disconnecting the chip component, remove the solder by using a braided wire to smooth the land surface.

○ **Connecting chip components**

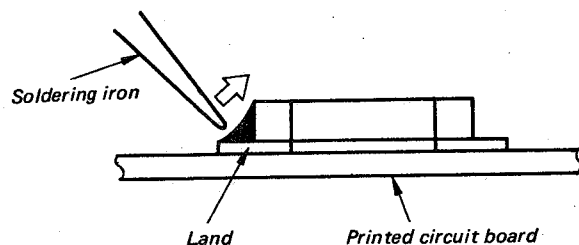
The value of chip components is not displayed on the main body. Take due precautions to avoid mixing new chip components with other ones.

**(1) Applying solder to land on one side**

Apply a thin layer of solder to the land on one side where the chip component is to be connected. Too much solder may cause bridging.

**(2) Speedy soldering**

Hold the chip component at the desired position, using tweezers, and apply the soldering iron in the arrow-marked direction. To protect the chip component, heating time should be within 3 seconds.

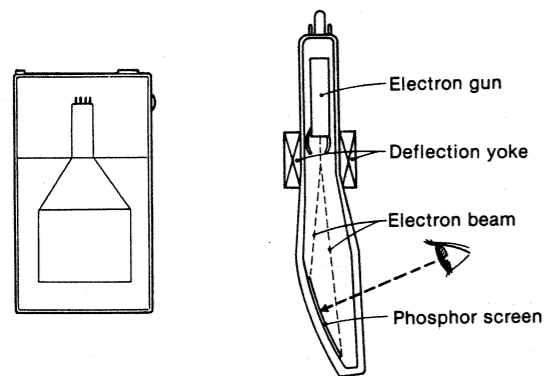
**(3) Speedy soldering of electrode on the other side**

Solder the electrode on the other side in the same way as in (2) above.

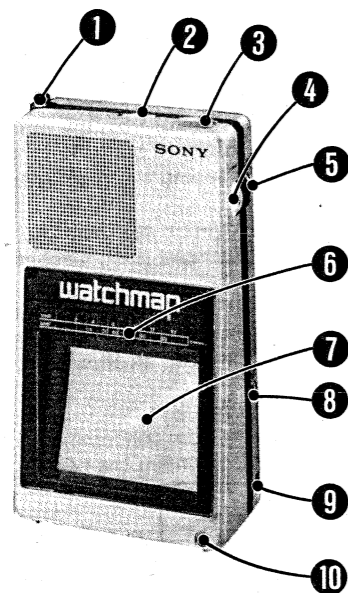
SECTION 1  
SAFETY RELATED CHECK

FEATURES

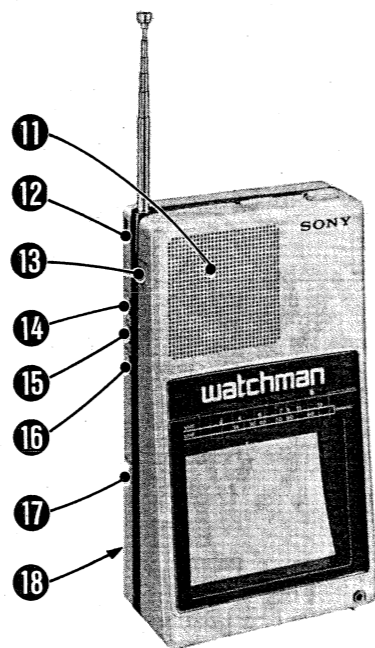
- Miniature B/W TV for portable or desktop use
- Newly designed 4" flat display picture tube
- Stand-up design with screen at bottom
- Recessed tilted screen for comfortable viewing
- New combined audio-video input for easy hookup
- External antenna jack for home and car use
- Built-in 2" speaker for better sound
- 3-way power supply capability



PARTS IDENTIFICATION



- 1 Telescopic antenna
- 2 BAND SELECT switch
- 3 POWER switch
- 4 TUNING knob
- 5 VOL (volume) control
- 6 Dial scale
- 7 Screen
- 8 DC IN 6V (external power input) jack
- 9 Loop for hand strap
- 10 EARPHONE jack



- 11 Speaker
- 12 Loop for hand strap
- 13 EXT ANT (external antenna) jack
- 14 CONTR (contrast) control
- 15 BRT (brightness) control
- 16 V (vertical) HOLD control
- 17 A/V IN (audio/video input) jack
- 18 Battery compartment (rear)

Operation Check on Hold Down Circuit

When replacing the following components marked  on schematic diagram, check the operation on the hold down circuit.

- Components marked 
  - C804, C817, D606, D801, D802, R604, R605, R628, R803, R804, RV601

Procedure:

1. Unsolder (A), (B) and (C) in the Fig. 1, and remove the one leads (power source side) of R804, R803 and R628.

**Note:** Be careful not to short the removed lead of each resistor to the pattern before checking step 2 and later.

2. Supply 6 V dc to DC IN 6 V jack.
3. Connect the regulated dc power supply to R804 as shown in the Fig. 2.

- 1) When supplying 9.3 V dc to R804, confirm that the raster does not appear.
- 2) When supplying 7.7 V dc to R804, confirm that the raster appears.
4. Connect the regulated dc power supply to R803 as shown in the Fig. 2.
  - 1) When supplying 7.05 V dc to R803, confirm that the raster does not appear.
  - 2) When supplying 6.2 V dc to R803, confirm that the raster appears.
5. Connect the regulated dc power supply to R628 as shown in the Fig. 2. When supplying 6.1 V dc, confirm that the raster does not appear.
6. After the check, reconnect the one leads of R804, R803 and R628.

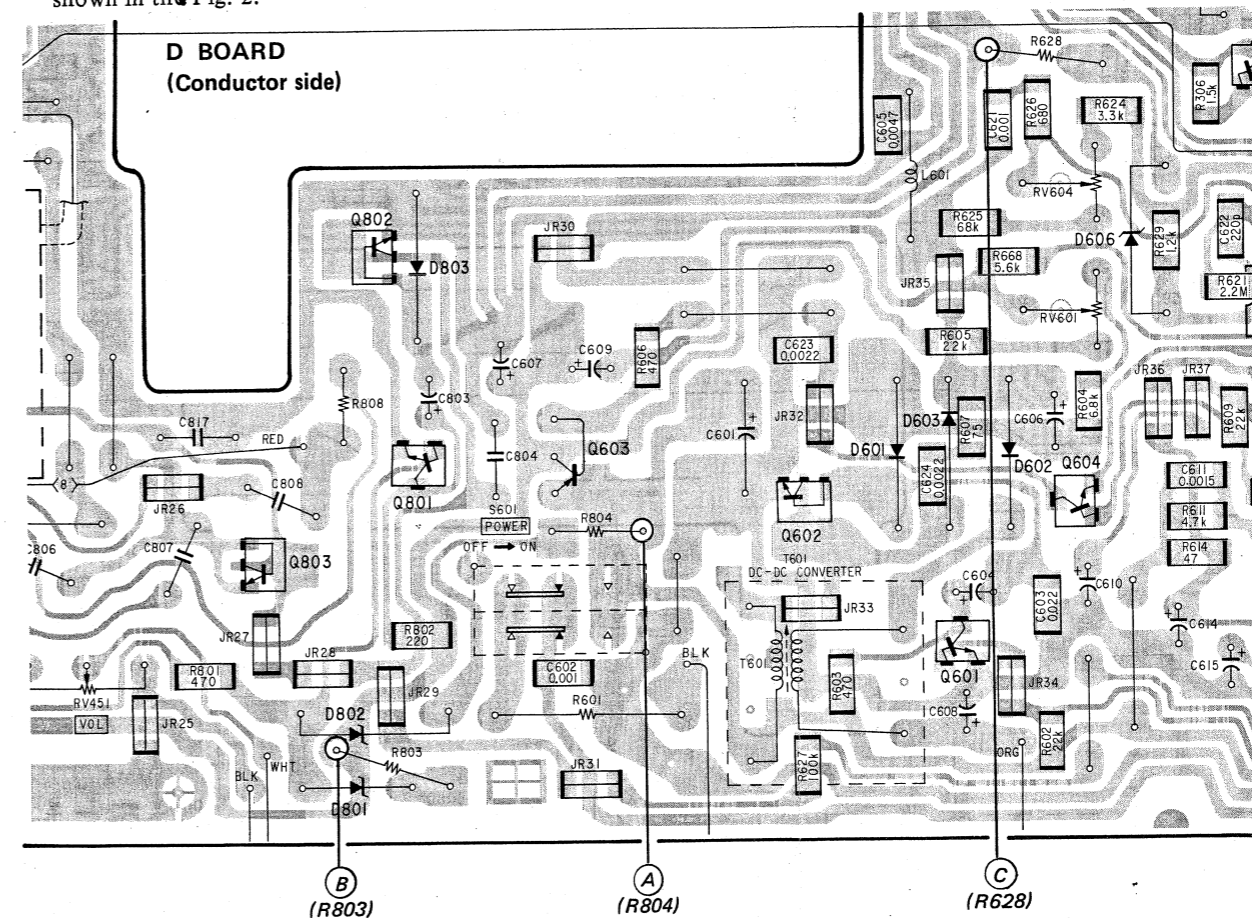


Fig. 1 Unsoldering Location

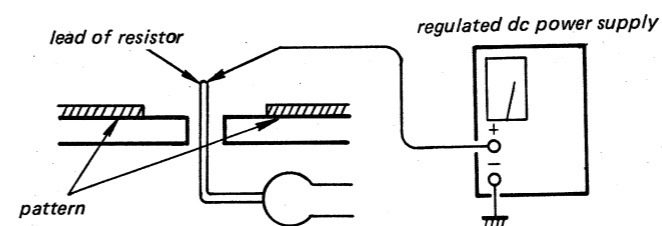
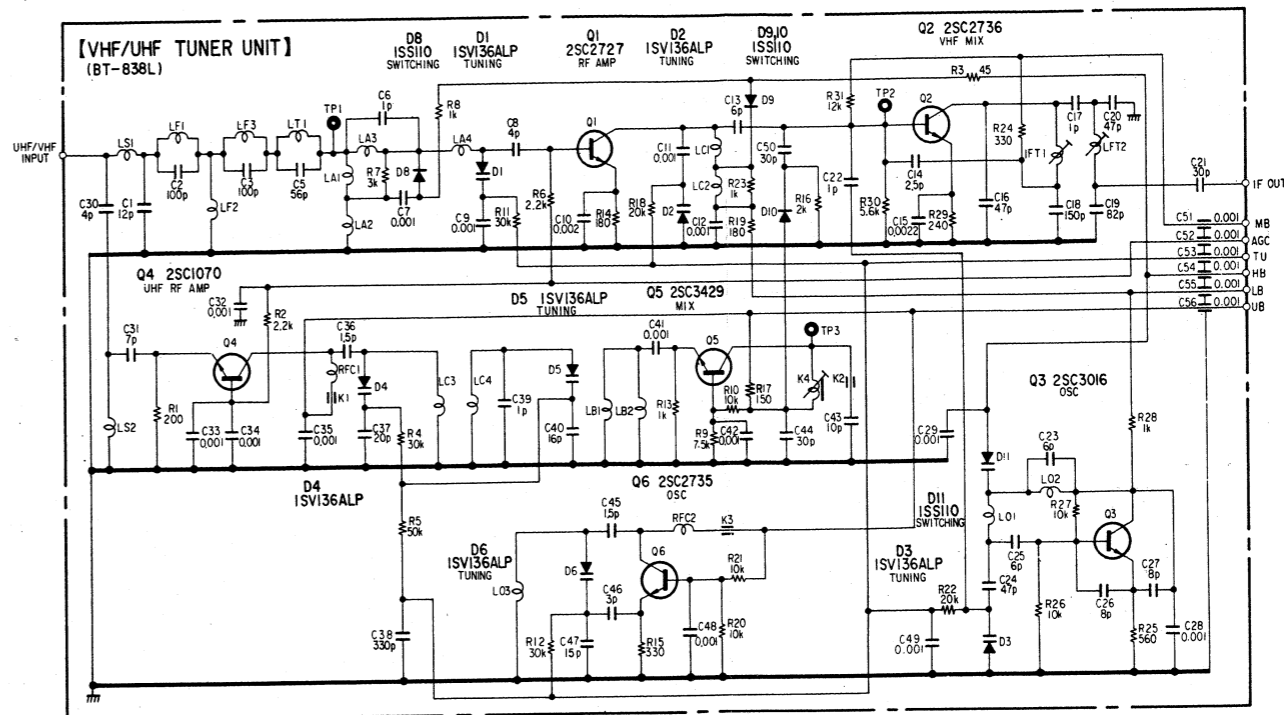


Fig. 2 Regulated dc Power Supply Connection (The unsoldering side of R804, R803 and R628.)

M

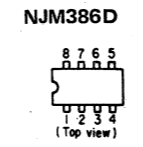
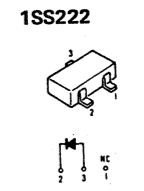
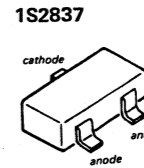
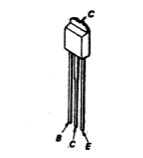
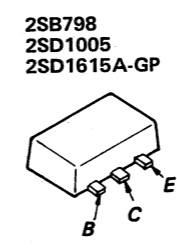
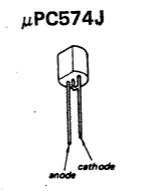
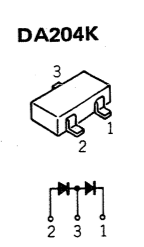
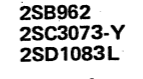
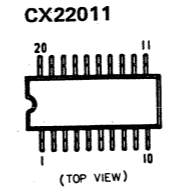
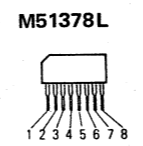
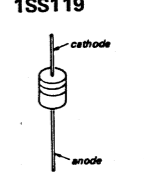
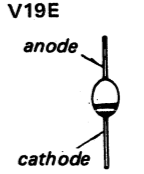
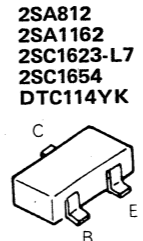
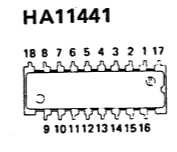
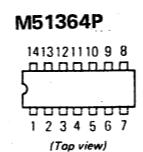
MEMO

2-1. TUNER SCHEMATIC DIAGRAM  
VHF/UHF TUNER -BT838L



Note: Tuner reference numbers are not included in the Electrical Parts List.

• Semiconductor Lead Layouts.



• See page 8 for Semiconductor Lead Layouts.

**Note on Schematic Diagram:**

- All capacitors are in  $\mu\text{F}$  unless otherwise noted.  $\text{pF}$ :  $\mu\text{F}$  50 WV or less are not indicated except for electrolytics and tantalums.
- All resistors are in ohms,  $\frac{1}{8}\text{W}$  unless otherwise noted.  $\text{k}\Omega$ : 1000  $\Omega$ ,  $\text{M}\Omega$ : 1000  $\text{k}\Omega$
- : signal path.
- : adjustment for repair.
- : B+ bus.
- Power voltage is 6V and fed with regulated dc power supply from DC IN 6V (external power input) jack, no mark: VHF  
L: VHF low channel (2 - 6 CH)  
H: VHF high channel (7 - 13 CH)  
( ): UHF
- Voltages are dc with respect to ground in detuned mode. Voltage variations may be noted due to normal production tolerances.
- Total current is measured at detuned mode with VOL knob turned downwards (MIN).
- Waveforms are taken in detuned mode by using oscilloscope. Voltage variations may be noted due to normal production tolerances.
- Switch

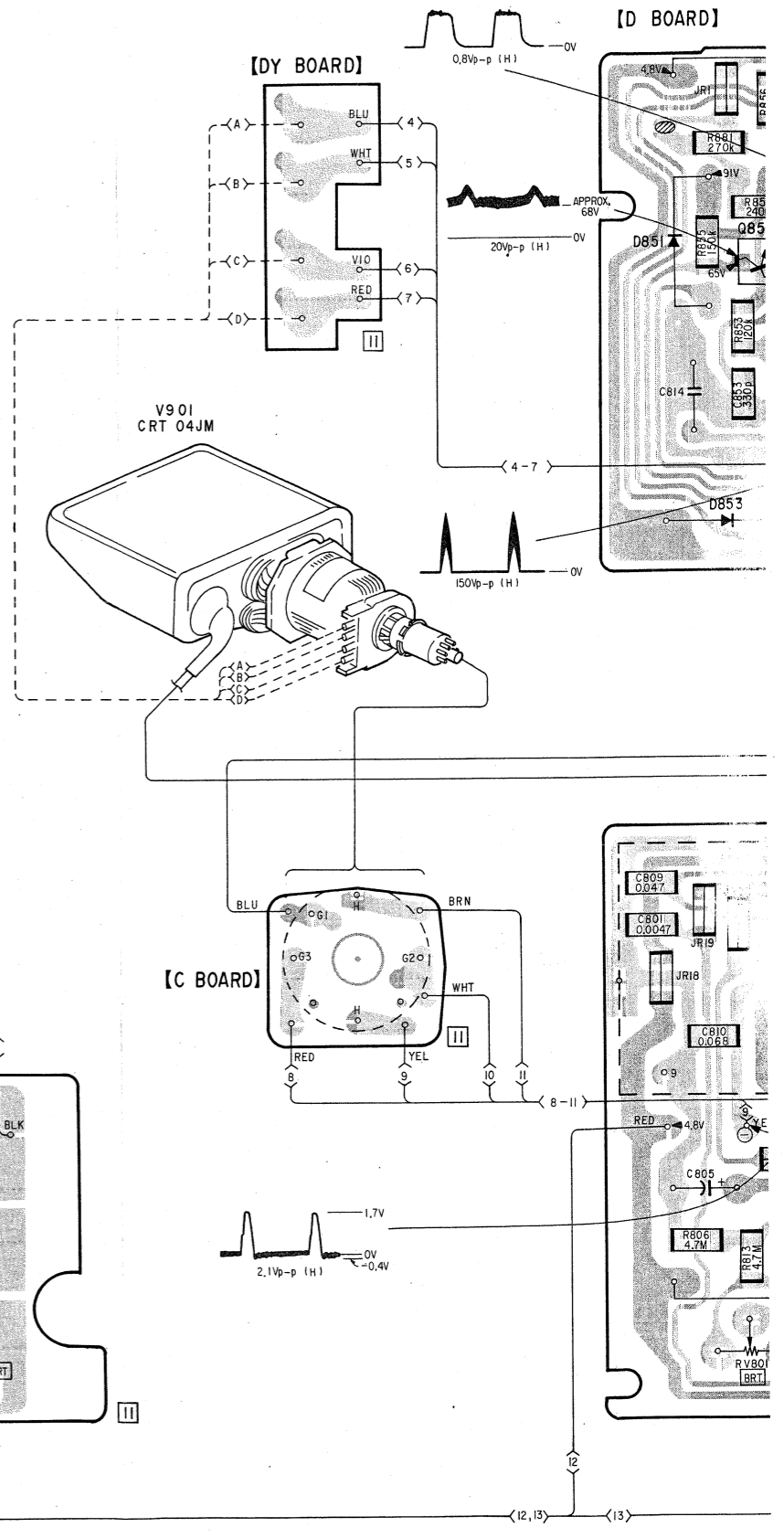
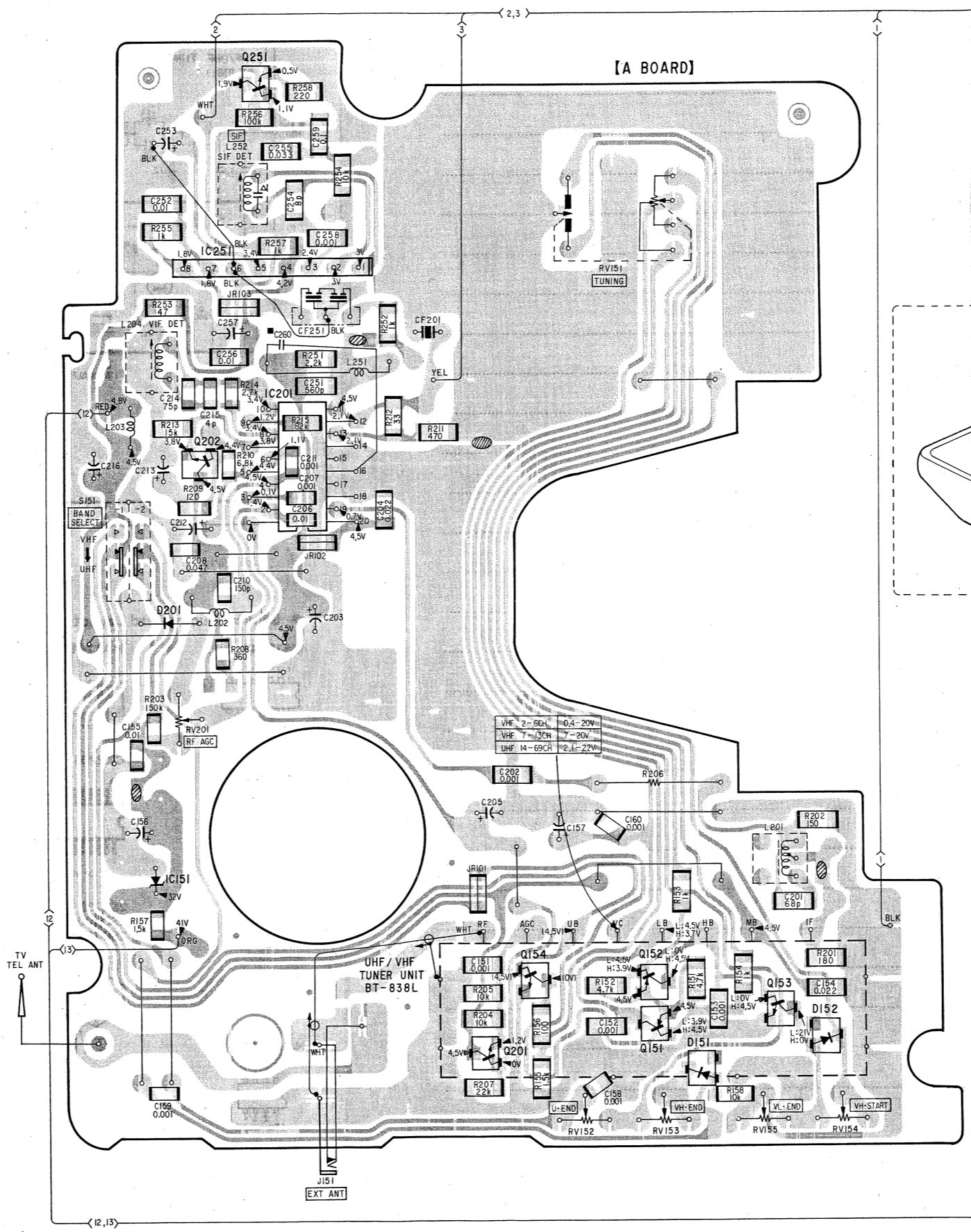
| Ref. No. | Switch      | Position |
|----------|-------------|----------|
| S151     | BAND SELECT | VHF      |
| S601     | POWER       | OFF      |

**Note on Mounting Diagram:**

- : part mounted on the conductor side.
- : B+ pattern

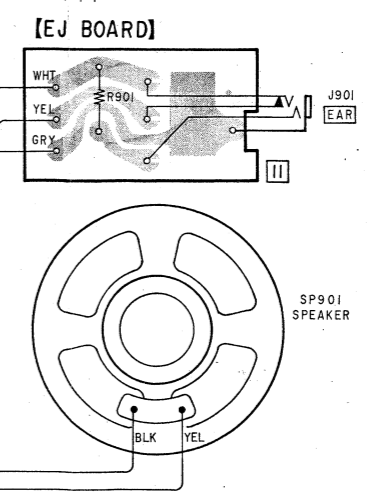
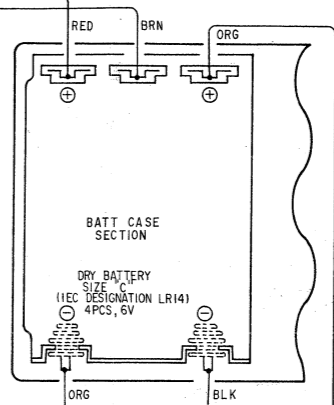
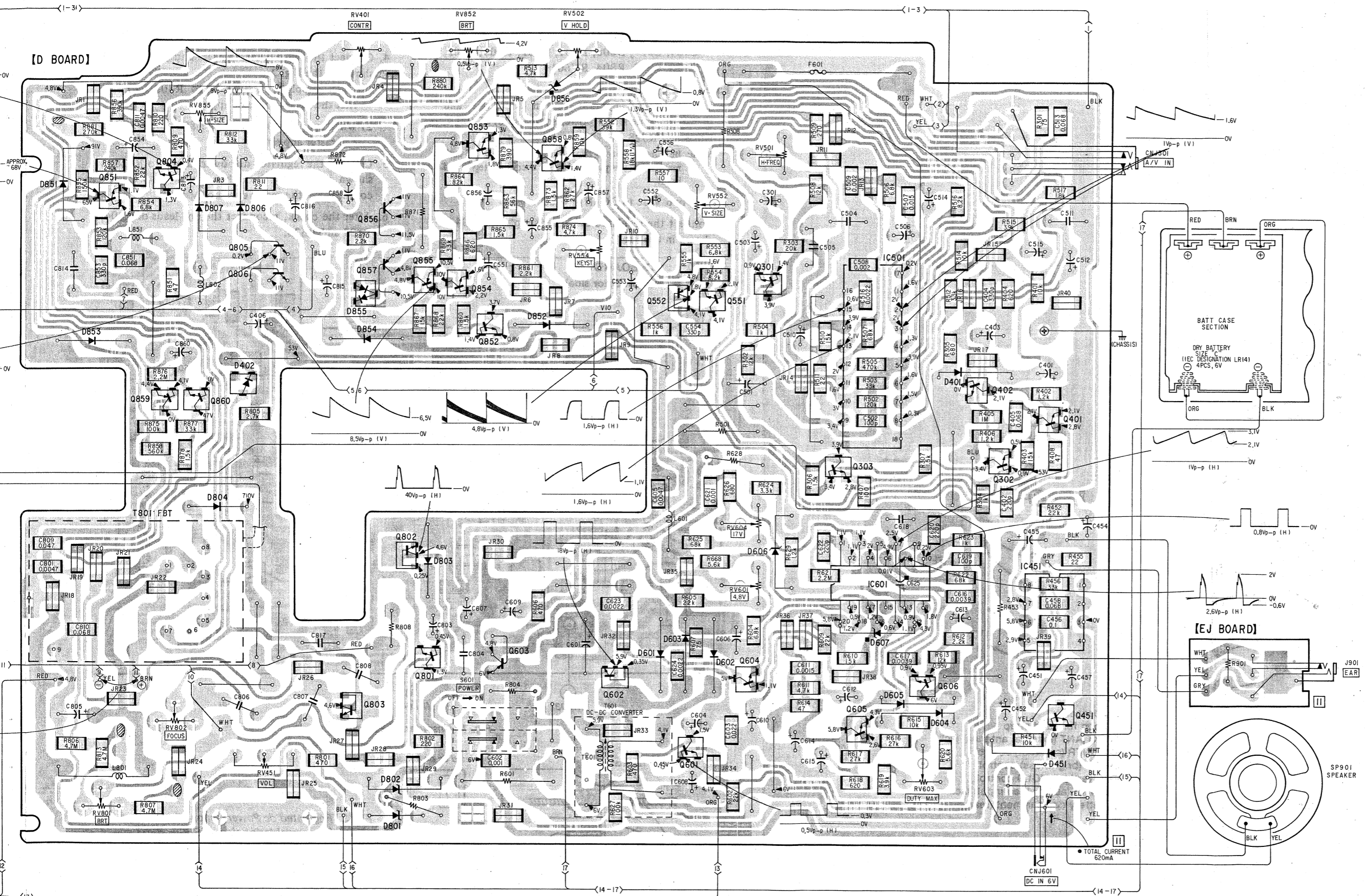
|   |    |     |     |       |       |     |     |     |     |     |
|---|----|-----|-----|-------|-------|-----|-----|-----|-----|-----|
| Q | IC | 202 | 251 | IC251 | IC201 | 201 | 154 | 152 | 151 | 153 |
| D |    | 201 |     |       |       |     |     |     | 151 | 152 |

|   |    |         |
|---|----|---------|
| Q | IC | 851     |
| D |    | 851 853 |



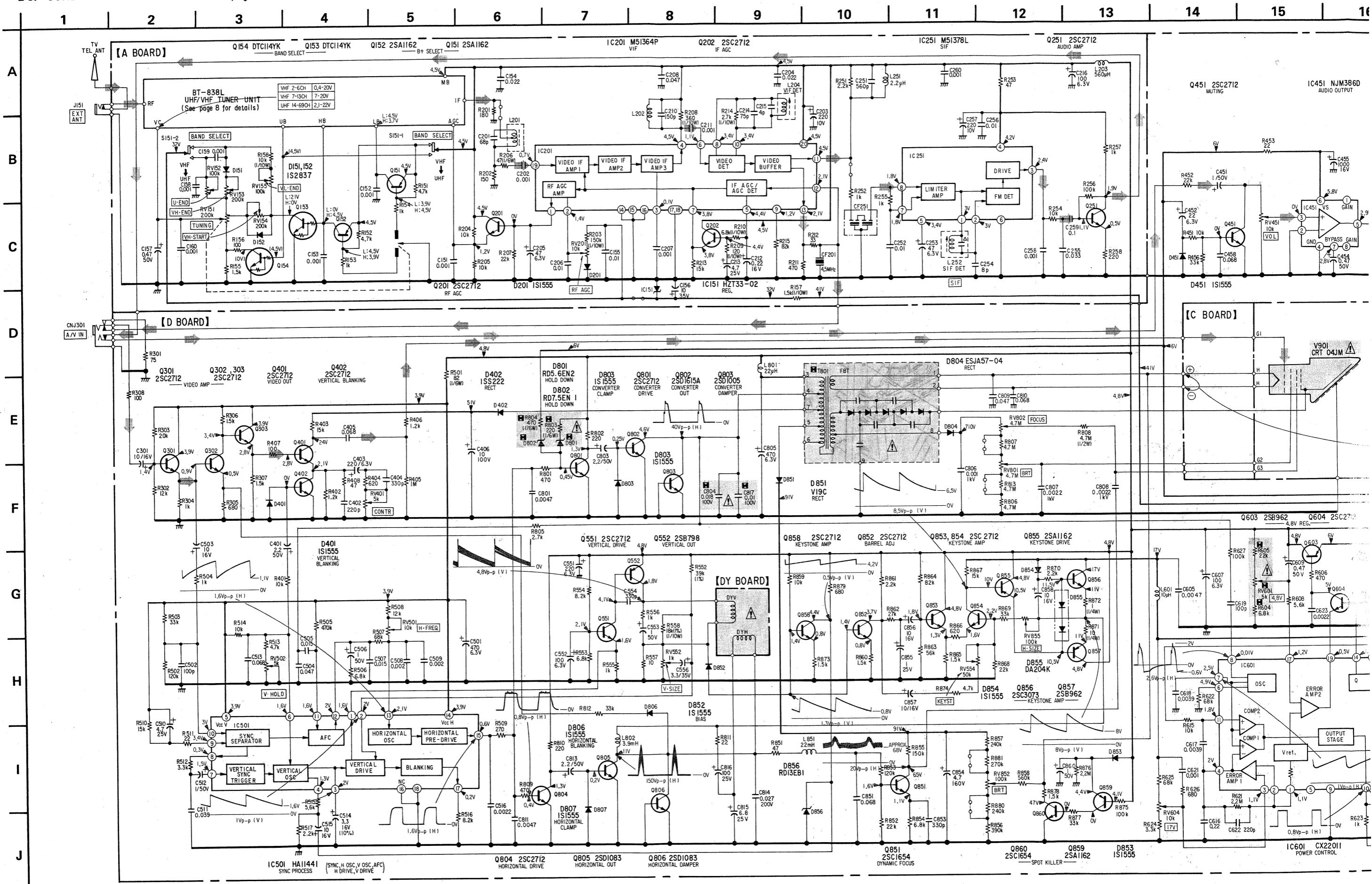
|   |     |                 |            |            |                   |            |            |            |     |       |     |     |     |     |     |     |
|---|-----|-----------------|------------|------------|-------------------|------------|------------|------------|-----|-------|-----|-----|-----|-----|-----|-----|
| Q | 851 | 804<br>859, 860 | 805<br>806 | 856<br>857 | 855<br>802        | 854<br>801 | 853<br>852 | 858        | 301 | IC501 | 402 | 302 | 401 |     |     |     |
| D | 851 | 853             | 807<br>804 | 806<br>402 | 855<br>857<br>854 | 802<br>801 | 803        | 856<br>852 | 601 | 603   | 602 | 606 | 605 | 606 | 401 | 451 |

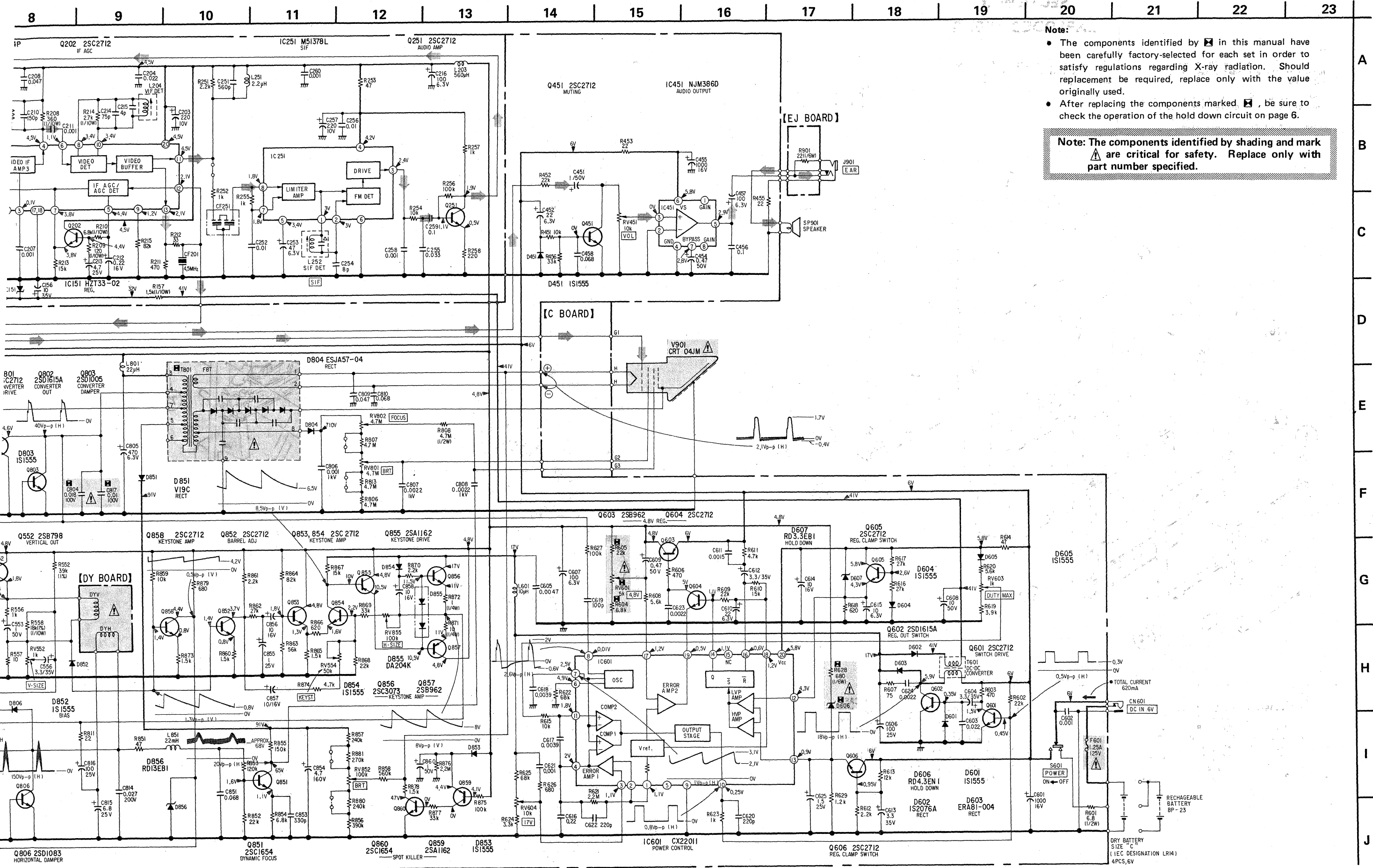
[D BOARD]



A  
B  
C  
D  
E  
F  
G  
H  
I  
J  
K







**Note:**

- The components identified by  $\square$  in this manual have been carefully factory-selected for each set in order to satisfy regulations regarding X-ray radiation. Should replacement be required, replace only with the value originally used.
- After replacing the components marked  $\square$ , be sure to check the operation of the hold down circuit on page 6.

**Note: The components identified by shading and mark  $\Delta$  are critical for safety. Replace only with part number specified.**

SECTION 3  
EXPLODED VIEWS

NOTE:

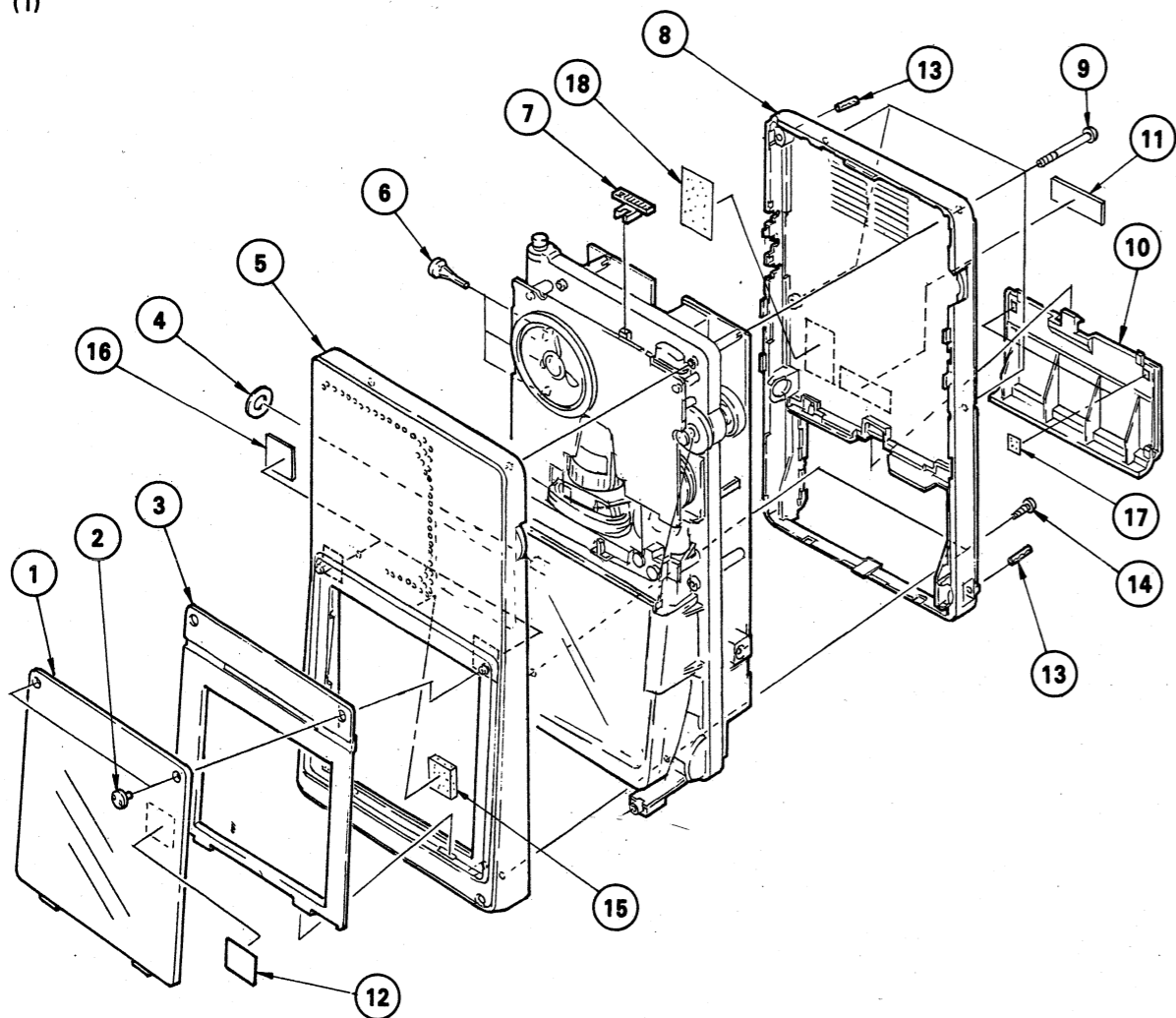
The mechanical parts with no reference number in the exploded views are not supplied.

Items marked " \* " are not stocked since they are seldom required for routine service. Some delay should be anticipated when ordering these items.

The construction parts of an assembled part are indicated with a collation number in the remark column.

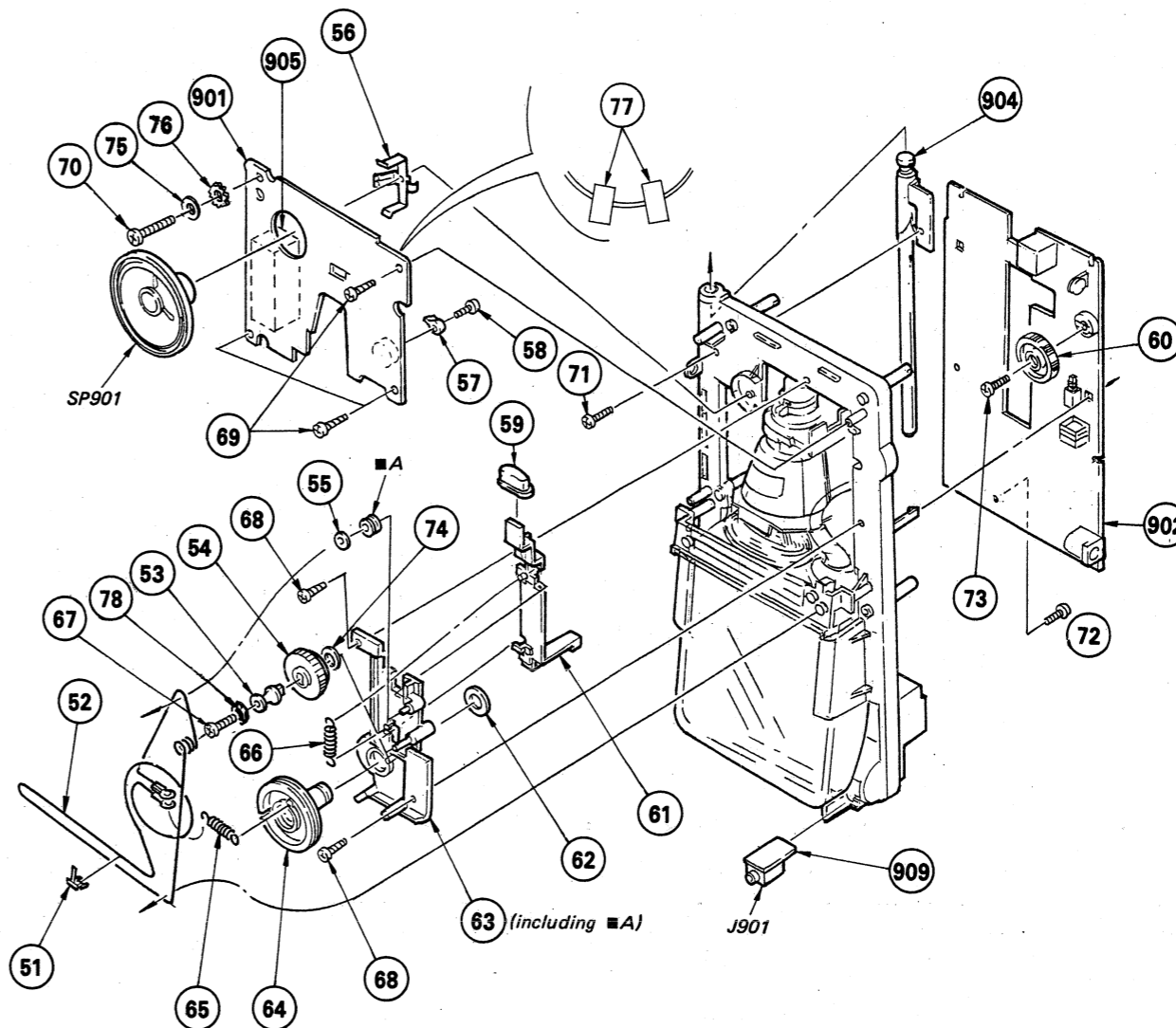
The components identified by shading and mark **A** are critical for safety. Replace only with part number specified.

(1)



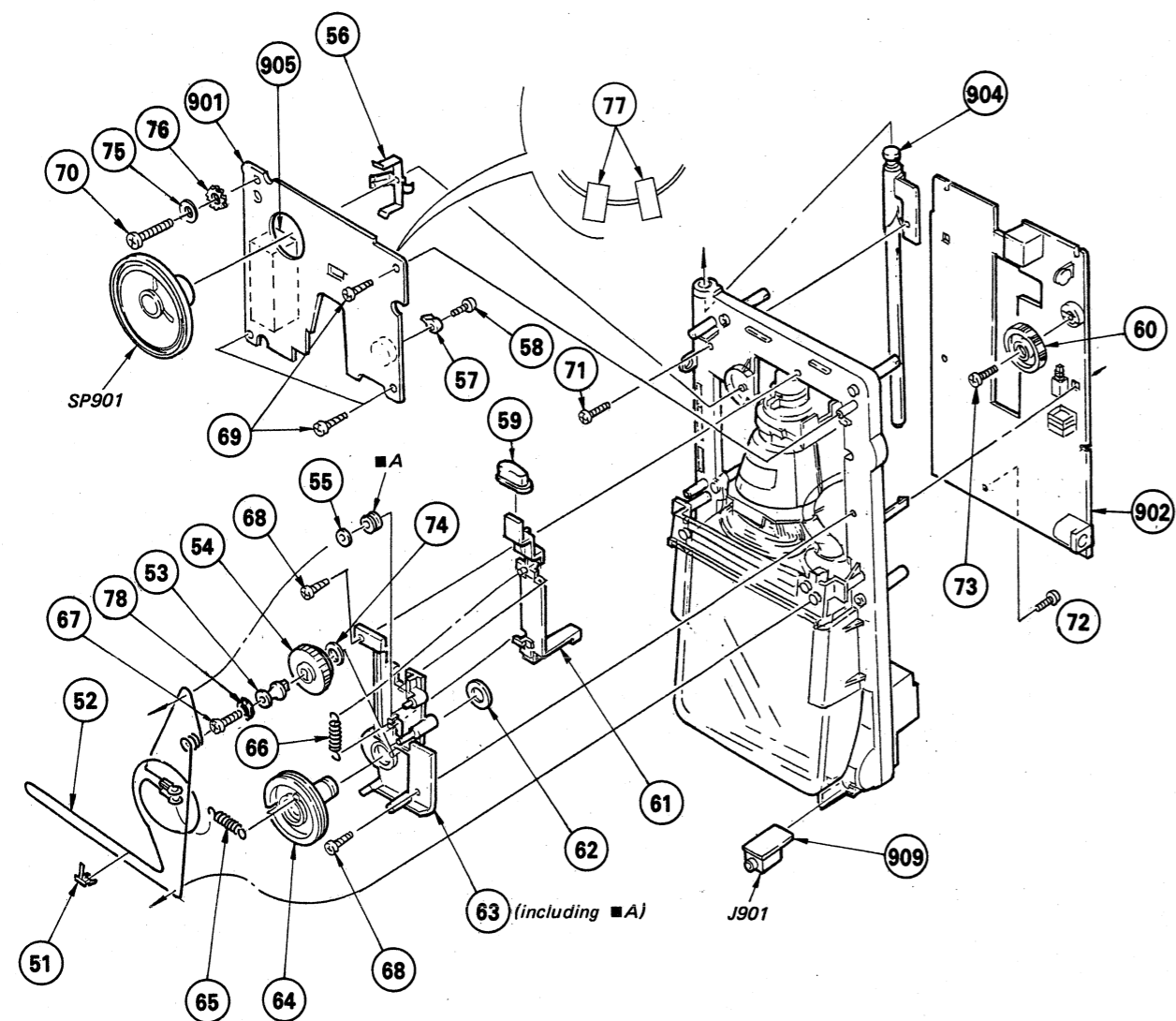
| No. | Part No.      | Description            | REMARKS | No. | Part No.      | Description                  | REMARKS |
|-----|---------------|------------------------|---------|-----|---------------|------------------------------|---------|
| 1   | 3-323-917-01  | FILTER                 |         | 10  | 3-323-916-01  | LID, BATTERY CASE            |         |
| 2   | 3-314-055-00  | SCREW (M1.4), PIN-FACE |         | 11  | 3-701-999-00  | LABEL, SERIAL NUMBER         |         |
| 3   | 3-323-918-01  | FRAME, DISPLAY         |         | 12  | 3-703-710-01  | STICKER, SONY SYMBOL (12)    |         |
| 4   | *3-323-915-01 | PLATE, BLIND, AV       |         | 13  | 7-626-301-31  | SPRING PIN 2X10              |         |
| 5   | A-3040-508-A  | CABINET ASSY, FRONT    |         | 14  | 7-685-105-14  | TPG +P 2X8, TYPE 2, NON-SLIT |         |
| 6   | 3-323-922-01  | KNOB, ADJUSTMENT       |         | 15  | 9-911-840-XX  | CUSHION, RUBBER              |         |
| 7   | 3-323-904-01  | KNOB, SELECTION, BAND  |         | 16  | *3-892-163-00 | SPACER, FRONT                |         |
| 8   | 3-323-924-01  | CABINET, REAR          |         | 17  | 3-831-441-XX  | CUSHION                      |         |
| 9   | 3-323-901-01  | SCREW (2X36), CABINET  |         | 18  | *3-703-044-18 | LABEL, CAUTION               |         |

(2)



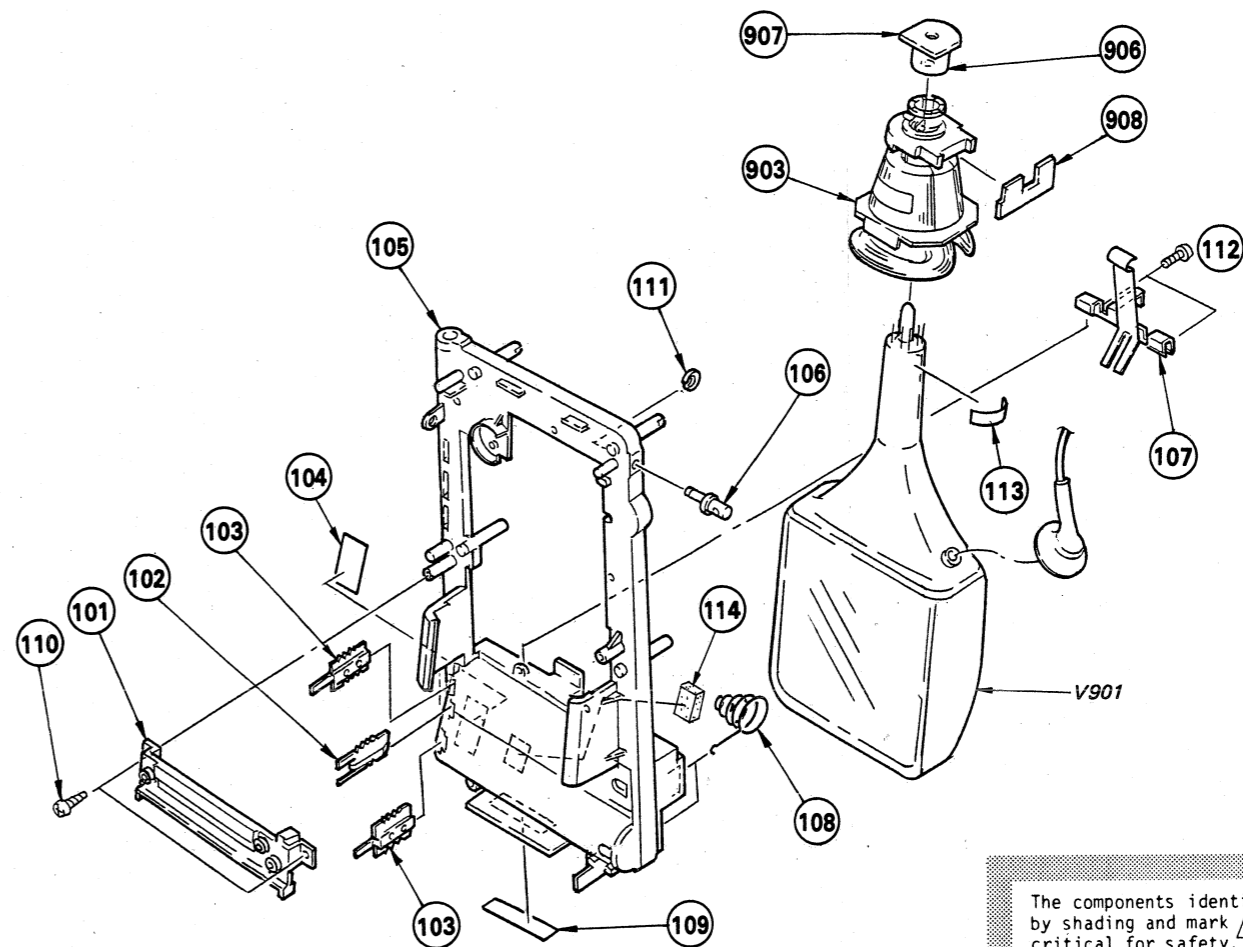
| No. | Part No.     | Description               | REMARKS | No. | Part No.      | Description                   | REMARKS |
|-----|--------------|---------------------------|---------|-----|---------------|-------------------------------|---------|
| 51  | 3-314-008-00 | POINTER                   |         | 68  | 7-685-134-14  | SCREW +P 2.6X8 TYPE2 NON-SLIT |         |
| 52  | 9-911-825-32 | STRING, DIAL 0.3DIA       |         | 69  | 7-685-104-14  | SCREW +P 2X6 TYPE2 NON-SLIT   |         |
| 53  | 3-323-914-01 | PULLEY, DIAL              |         | 70  | 7-621-772-88  | SCREW +B 2X16                 |         |
| 54  | X-3323-902-1 | KNOB ASSY, TUNING         |         | 71  | 7-621-255-25  | SCREW +P 2X4                  |         |
| 55  | 3-489-108-00 | WASHER, NYLON             |         | 72  | 7-685-851-01  | SCREW +BVTT 2X4 (S)           |         |
| 56  | 3-323-913-01 | STOPPER, SP               |         | 73  | 7-627-552-47  | SCREW, PRECISION +P 1.7X4     |         |
| 57  | 3-314-006-00 | JOINT, TUNING             |         | 74  | 3-701-439-00  | WASHER, PLASTIC               |         |
| 58  | 3-888-156-00 | SCREW (1.7X4)             |         | 75  | 7-623-205-22  | SW 2, TYPE 2                  |         |
| 59  | 3-323-903-01 | BUTTON, POWER             |         | 76  | 7-623-420-07  | LW 2, TYPE B                  |         |
| 60  | 3-323-902-01 | KNOB, CONTROL             |         | 77  | 3-831-441-XX  | CUSHION                       |         |
| 61  | 3-323-919-01 | LEVER (A), SWITCH         |         | 78  | 3-323-937-01  | RETAINER, PULLEY              |         |
| 62  | 3-323-929-01 | RING, STOPPER             |         | 901 | *A-3015-308-A | PC BOARD ASSY, A              |         |
| 63  | X-3233-905-1 | CHASSIS ASSY, DIAL CORD   |         | 902 | *A-3015-311-A | PC BOARD ASSY, D              |         |
| 64  | 3-323-907-01 | DRUM, DIAL                |         | 904 | 1-501-330-11  | ANTENNA, TELESCOPIC           |         |
| 65  | 3-564-949-01 | SPRING, TENSION           |         | 905 | 1-463-538-11  | TUNER UNIT (UHF/VHF)(BT-838L) |         |
| 66  | 4-858-478-00 | SPRING, TENSION           |         | 909 | *1-613-770-11 | PC BOARD, EJ                  |         |
| 67  | 7-627-552-37 | SCREW, PRECISION +P 1.7X3 |         |     |               |                               |         |

(2)



| No. | Part No.     | Description               | REMARKS | No. | Part No.      | Description                   | REMARKS |
|-----|--------------|---------------------------|---------|-----|---------------|-------------------------------|---------|
| 51  | 3-314-008-00 | POINTER                   |         | 68  | 7-685-134-14  | SCREW +P 2.6X8 TYPE2 NON-SLIT |         |
| 52  | 9-911-825-32 | STRING, DIAL 0.3DIA       |         | 69  | 7-685-104-14  | SCREW +P 2X6 TYPE2 NON-SLIT   |         |
| 53  | 3-323-914-01 | PULLEY, DIAL              |         | 70  | 7-621-772-88  | SCREW +B 2X16                 |         |
| 54  | X-3323-902-1 | KNOB ASSY, TUNING         |         | 71  | 7-621-255-25  | SCREW +P 2X4                  |         |
| 55  | 3-489-108-00 | WASHER, NYLON             |         | 72  | 7-685-851-01  | SCREW +BVTT 2X4 (S)           |         |
| 56  | 3-323-913-01 | STOPPER, SP               |         | 73  | 7-627-552-47  | SCREW, PRECISION +P 1.7X4     |         |
| 57  | 3-314-006-00 | JOINT, TUNING             |         | 74  | 3-701-439-00  | WASHER, PLASTIC               |         |
| 58  | 3-888-156-00 | SCREW (1.7X4)             |         | 75  | 7-623-205-22  | SW 2, TYPE 2                  |         |
| 59  | 3-323-903-01 | BUTTON, POWER             |         | 76  | 7-623-420-07  | LW 2, TYPE B                  |         |
| 60  | 3-323-902-01 | KNOB, CONTROL             |         | 77  | 3-831-441-XX  | CUSHION                       |         |
| 61  | 3-323-919-01 | LEVER (A), SWITCH         |         | 78  | 3-323-937-01  | RETAINER, PULLEY              |         |
| 62  | 3-323-929-01 | RING, STOPPER             |         | 901 | *A-3015-308-A | PC BOARD ASSY, A              |         |
| 63  | X-3233-905-1 | CHASSIS ASSY, DIAL CORD   |         | 902 | *A-3015-311-A | PC BOARD ASSY, D              |         |
| 64  | 3-323-907-01 | DRUM, DIAL                |         | 904 | 1-501-330-11  | ANTENNA, TELESCOPIC           |         |
| 65  | 3-564-949-01 | SPRING, TENSION           |         | 905 | 1-463-538-11  | TUNER UNIT (UHF/VHF)(BT-838L) |         |
| 66  | 4-858-478-00 | SPRING, TENSION           |         | 909 | *1-613-770-11 | PC BOARD, EJ                  |         |
| 67  | 7-627-552-37 | SCREW, PRECISION +P 1.7X3 |         |     |               |                               |         |

(3)



The components identified by shading and mark **A** are critical for safety. Replace only with part number specified.

| No. | Part No.      | Description                    | REMARKS | No.          | Part No.      | Description                  | REMARKS |
|-----|---------------|--------------------------------|---------|--------------|---------------|------------------------------|---------|
| 101 | A-3039-031-A  | RAIL ASSY,SUSPENDER, DIAL CORD |         | 110          | 7-685-104-14  | SCREW +P 2X6 TYPE2 NON-SLIT  |         |
| 102 | 3-323-908-01  | PLATE, CONTACT                 |         | 111          | 7-624-104-04  | STOP RING 2.0, TYPE -E       |         |
| 103 | 3-501-056-11  | TERMINAL, POSITIVE             |         | 112          | 7-685-853-01  | SCREW +BVTT 2X6              |         |
| 104 | 3-314-050-00  | LABEL, CAUTION, POWER          |         | 113          | 7-632-201-41  | TAPE, MASKING (9MMX50M) #214 |         |
| 105 | 3-323-925-01  | CHASSIS                        |         | 114          | 9-911-815-02  | CUSHION                      |         |
| 106 | 3-323-926-01  | BRACKET, STRAP                 |         | 903 <b>A</b> | 1-451-257-11  | DEFLECTION YOKE              |         |
| 107 | *X-3323-903-1 | BRACKET ASSY, CRT              |         | 906          | 1-526-736-00  | SOCKET, CRT                  |         |
| 108 | 3-701-835-00  | SPRING                         |         | 907          | *1-613-766-11 | PC BOARD, C                  |         |
| 109 | 3-314-062-00  | LABEL, CAUTION, SERVICE        |         | 908          | *1-613-767-11 | PC BOARD, DY                 |         |

## SECTION 4 ELECTRICAL PARTS LIST

**NOTE:**

- Items marked " \* " are not stocked since they are seldom required for routine service. Some delay should be anticipated when ordering these items.
- If there are two or more same circuits in a set such as a stereophonic machine, only typical circuit parts may be indicated and capacitors and resistors in other same circuits may be omitted.

**CAPACITORS:**

MF:μF, PF:μF.

**RESISTORS**

- All resistors are in ohms.
- F : nonflammable

**COILS**

• MMH : mH, UH : μH

**SEMICONDUCTORS**

In each case, U : μ, for example:

UA.... : μA...., UPA.... : μPA...., UPC.... : μPC,

UPD.... : μPD....

The components identified by shading and mark are critical for safety. Replace only with part number specified.

ELECTRICAL PARTS

| Ref.No. | Part No.       | Description                    |     |            |  |
|---------|----------------|--------------------------------|-----|------------|--|
| 901     | *A-3015-308-A  | PC BOARD ASSY, A               |     |            |  |
| 902     | *A-3015-311-A  | PC BOARD ASSY, D               |     |            |  |
| 903     | Δ 1-451-257-11 | DEFLECTION YOKE                |     |            |  |
| 904     | 1-501-330-11   | ANTENNA, TELESCOPIC            |     |            |  |
| 905     | 1-463-538-11   | TUNER UNIT (UHF/VHF) (BT-838L) |     |            |  |
| 906     | 1-526-736-00   | SOCKET, CRT                    |     |            |  |
| 907     | *1-613-766-11  | PC BOARD, C                    |     |            |  |
| 908     | *1-613-767-11  | PC BOARD, DY                   |     |            |  |
| 909     | *1-613-770-11  | PC BOARD, EJ                   |     |            |  |
| C151    | 1-163-205-00   | CERAMIC CHIP 0.001MF           | 5%  | 50V        |  |
| C152    | 1-163-205-00   | CERAMIC CHIP 0.001MF           | 5%  | 50V        |  |
| C153    | 1-163-205-00   | CERAMIC CHIP 0.001MF           | 5%  | 50V        |  |
| C154    | 1-163-073-00   | CERAMIC CHIP 0.022MF           |     | 50V        |  |
| C155    | 1-163-031-00   | CERAMIC CHIP 0.01MF            |     | 50V        |  |
| C156    | 1-123-620-00   | ELECT 10MF                     | 20% | 35V        |  |
| C157    | 1-123-610-00   | ELECT 0.47MF                   | 20% | 50V        |  |
| C158    | 1-163-141-00   | CERAMIC CHIP 0.001MF           | 5%  | 50V        |  |
| C159    | 1-163-141-00   | CERAMIC CHIP 0.001MF           | 5%  | 50V        |  |
| C160    | 1-163-141-00   | CERAMIC CHIP 0.001MF           | 5%  | 50V        |  |
| C201    | 1-163-177-00   | CERAMIC CHIP 68PF              | 5%  | 50V        |  |
| C202    | 1-163-205-00   | CERAMIC CHIP 0.001MF           | 5%  | 50V        |  |
| C203    | 1-124-444-00   | ELECT 220MF                    | 20% | 10V        |  |
| C204    | 1-163-073-00   | CERAMIC CHIP 0.022MF           |     | 50V        |  |
| C205    | 1-123-647-00   | ELECT 47MF                     | 20% | 6.3V       |  |
| C206    | 1-163-031-00   | CERAMIC CHIP 0.01MF            |     | 50V        |  |
| C207    | 1-163-141-00   | CERAMIC CHIP 0.001MF           | 5%  | 50V        |  |
| C208    | 1-163-035-00   | CERAMIC CHIP 0.047MF           |     | 50V        |  |
| C210    | 1-163-121-00   | CERAMIC CHIP 150PF             | 5%  | 50V        |  |
| C211    | 1-163-141-00   | CERAMIC CHIP 0.001MF           | 5%  | 50V        |  |
| C212    | 1-131-453-00   | TANTALUM 0.22MF                | 20% | 16V        |  |
| C213    | 1-123-616-00   | ELECT 4.7MF                    | 20% | 25V        |  |
| C214    | 1-163-114-00   | CERAMIC CHIP 75PF              | 5%  | 50V        |  |
| C215    | 1-163-087-00   | CERAMIC CHIP 4PF               |     | 0.25PF 50V |  |
| C216    | 1-123-661-00   | ELECT 100MF                    | 20% | 6.3V       |  |
| C251    | 1-163-199-00   | CERAMIC CHIP 560PF             | 5%  | 50V        |  |
| C252    | 1-163-059-00   | CERAMIC CHIP 0.01MF            | 10% | 50V        |  |
| C253    | 1-124-224-00   | ELECT 47MF                     | 20% | 6.3V       |  |
| C254    | 1-163-155-00   | CERAMIC CHIP 8PF               |     | 0.25PF 50V |  |
| C255    | 1-163-074-00   | CERAMIC CHIP 0.033MF           | 10% | 25V        |  |
| C256    | 1-163-059-00   | CERAMIC CHIP 0.01MF            | 10% | 50V        |  |
| C257    | 1-123-308-00   | ELECT 220MF                    | 20% | 10V        |  |
| C258    | 1-163-205-00   | CERAMIC CHIP 0.001MF           | 5%  | 50V        |  |
| C259    | 1-163-077-00   | CERAMIC CHIP 0.1MF             |     | 50V        |  |
| C260    | 1-101-001-00   | CERAMIC 0.001MF                |     | 50V        |  |
| C301    | 1-123-617-00   | ELECT 10MF                     | 20% | 16V        |  |

ELECTRICAL PARTS

| Ref.No. | Part No.     | Description           |     |      |  |
|---------|--------------|-----------------------|-----|------|--|
| C401    | 1-124-257-00 | ELECT 2.2MF           | 20% | 50V  |  |
| C402    | 1-163-189-00 | CERAMIC CHIP 220PF    | 10% | 50V  |  |
| C403    | 1-123-308-00 | ELECT 220MF           | 20% | 6.3V |  |
| C404    | 1-163-193-00 | CERAMIC CHIP 330PF    | 5%  | 50V  |  |
| C405    | 1-163-076-00 | CERAMIC CHIP 0.068MF  |     | 50V  |  |
| C406    | 1-123-384-00 | ELECT 10MF            | 20% | 100V |  |
| C451    | 1-123-611-00 | ELECT 1MF             | 20% | 50V  |  |
| C452    | 1-123-618-00 | ELECT 22MF            | 20% | 6.3V |  |
| C454    | 1-124-253-00 | ELECT 0.47MF          | 20% | 50V  |  |
| C455    | 1-124-555-00 | ELECT 1000MF          | 20% | 16V  |  |
| C456    | 1-163-077-00 | CERAMIC CHIP 0.1MF    |     | 50V  |  |
| C457    | 1-123-661-00 | ELECT 100MF           | 20% | 6.3V |  |
| C458    | 1-163-076-00 | CERAMIC CHIP 0.068MF  |     | 50V  |  |
| C501    | 1-124-470-11 | ELECT 470MF           | 20% | 6.3V |  |
| C502    | 1-163-181-00 | CERAMIC CHIP 100PF    | 5%  | 50V  |  |
| C503    | 1-123-617-00 | ELECT 10MF            | 20% | 16V  |  |
| C504    | 1-130-491-00 | MYLAR 0.047MF         | 5%  | 50V  |  |
| C505    | 1-130-485-00 | MYLAR 0.015MF         | 5%  | 50V  |  |
| C506    | 1-123-611-00 | ELECT 1MF             | 20% | 50V  |  |
| C507    | 1-163-061-00 | CERAMIC CHIP 0.015MF  | 10% | 50V  |  |
| C508    | 1-163-212-00 | CERAMIC CHIP 0.002MF  | 5%  | 50V  |  |
| C509    | 1-163-212-00 | CERAMIC CHIP 0.002MF  | 5%  | 50V  |  |
| C510    | 1-123-616-00 | ELECT 4.7MF           | 20% | 25V  |  |
| C511    | 1-136-160-00 | MYLAR 0.039MF         | 5%  | 50V  |  |
| C512    | 1-124-255-00 | ELECT 1MF             | 20% | 50V  |  |
| C513    | 1-163-076-00 | CERAMIC CHIP 0.068MF  |     | 50V  |  |
| C514    | 1-131-368-00 | TANTALUM 3.3MF        | 10% | 16V  |  |
| C515    | 1-123-617-00 | ELECT 10MF            | 20% | 16V  |  |
| C516    | 1-163-213-00 | CERAMIC CHIP 0.0022MF | 10% | 50V  |  |
| C551    | 1-123-308-00 | ELECT 220MF           | 20% | 6.3V |  |
| C552    | 1-123-661-00 | ELECT 100MF           | 20% | 6.3V |  |
| C553    | 1-123-611-00 | ELECT 1MF             | 20% | 50V  |  |
| C554    | 1-163-193-00 | CERAMIC CHIP 330PF    | 5%  | 50V  |  |
| C556    | 1-123-613-00 | ELECT 3.3MF           | 20% | 35V  |  |
| C601    | 1-123-839-00 | ELECT 1000MF          | 20% | 16V  |  |
| C602    | 1-163-205-00 | CERAMIC CHIP 0.001MF  | 5%  | 50V  |  |
| C603    | 1-163-073-00 | CERAMIC CHIP 0.022MF  |     | 50V  |  |
| C604    | 1-123-613-00 | ELECT 3.3MF           | 20% | 35V  |  |
| C605    | 1-163-017-00 | CERAMIC CHIP 0.0047MF | 10% | 50V  |  |
| C606    | 1-123-333-00 | ELECT 100MF           | 20% | 25V  |  |
| C607    | 1-123-661-00 | ELECT 100MF           | 20% | 6.3V |  |
| C608    | 1-123-816-00 | ELECT 10MF            | 20% | 50V  |  |
| C609    | 1-123-610-00 | ELECT 0.47MF          | 20% | 50V  |  |
| C610    | 1-123-618-00 | ELECT 22MF            | 20% | 6.3V |  |
| C611    | 1-163-209-00 | CERAMIC CHIP 0.0015MF | 10% | 50V  |  |

## ELECTRICAL PARTS

| Ref.No. | Part No.      | Description           |   |    |      |
|---------|---------------|-----------------------|---|----|------|
| JR17    | 1-216-296-00  | METAL CHIP            | 0 | 5% | 1/8W |
| JR18    | 1-216-296-00  | METAL CHIP            | 0 | 5% | 1/8W |
| JR19    | 1-216-296-00  | METAL CHIP            | 0 | 5% | 1/8W |
| JR20    | 1-216-296-00  | METAL CHIP            | 0 | 5% | 1/8W |
| JR21    | 1-216-296-00  | METAL CHIP            | 0 | 5% | 1/8W |
| JR22    | 1-216-296-00  | METAL CHIP            | 0 | 5% | 1/8W |
| JR23    | 1-216-296-00  | METAL CHIP            | 0 | 5% | 1/8W |
| JR24    | 1-216-296-00  | METAL CHIP            | 0 | 5% | 1/8W |
| JR25    | 1-216-296-00  | METAL CHIP            | 0 | 5% | 1/8W |
| JR26    | 1-216-296-00  | METAL CHIP            | 0 | 5% | 1/8W |
| JR27    | 1-216-296-00  | METAL CHIP            | 0 | 5% | 1/8W |
| JR28    | 1-216-296-00  | METAL CHIP            | 0 | 5% | 1/8W |
| JR29    | 1-216-296-00  | METAL CHIP            | 0 | 5% | 1/8W |
| JR30    | 1-216-296-00  | METAL CHIP            | 0 | 5% | 1/8W |
| JR31    | 1-216-296-00  | METAL CHIP            | 0 | 5% | 1/8W |
| JR32    | 1-216-296-00  | METAL CHIP            | 0 | 5% | 1/8W |
| JR33    | 1-216-296-00  | METAL CHIP            | 0 | 5% | 1/8W |
| JR34    | 1-216-296-00  | METAL CHIP            | 0 | 5% | 1/8W |
| JR35    | 1-216-296-00  | METAL CHIP            | 0 | 5% | 1/8W |
| JR36    | 1-216-296-00  | METAL CHIP            | 0 | 5% | 1/8W |
| JR37    | 1-216-296-00  | METAL CHIP            | 0 | 5% | 1/8W |
| JR38    | 1-216-296-00  | METAL CHIP            | 0 | 5% | 1/8W |
| JR39    | 1-216-296-00  | METAL CHIP            | 0 | 5% | 1/8W |
| JR40    | 1-216-296-00  | METAL CHIP            | 0 | 5% | 1/8W |
| JR101   | 1-216-296-00  | METAL CHIP            | 0 | 5% | 1/8W |
| JR102   | 1-216-296-00  | METAL CHIP            | 0 | 5% | 1/8W |
| JR103   | 1-216-296-00  | METAL CHIP            | 0 | 5% | 1/8W |
| L201    | 1-459-530-11  | COIL (WITH CORE)      |   |    |      |
| L202    | *1-422-109-00 | COIL, AIR-CORE        |   |    |      |
| L203    | 1-408-098-00  | MICRO INDUCTOR 560UH  |   |    |      |
| L204    | 1-404-446-00  | COIL, VIF DETECTOR    |   |    |      |
| L251    | 1-408-109-00  | MICRO INDUCTOR 2.2UH  |   |    |      |
| L252    | 1-404-387-00  | COIL, FM DETECTOR     |   |    |      |
| L601    | 1-408-117-00  | MICRO INDUCTOR 10UH   |   |    |      |
| L801    | 1-408-121-00  | MICRO INDUCTOR 22UH   |   |    |      |
| L802    | 1-407-499-00  | MICRO INDUCTOR 3.9MMH |   |    |      |
| L851    | 1-407-508-00  | MICRO INDUCTOR 22MMH  |   |    |      |
| Q151    | 8-729-100-76  | TRANSISTOR 2SA812     |   |    |      |
| Q152    | 8-729-100-76  | TRANSISTOR 2SA812     |   |    |      |
| Q153    | 8-729-900-52  | TRANSISTOR, DTC114YK  |   |    |      |
| Q154    | 8-729-900-52  | TRANSISTOR DTC114YK   |   |    |      |
| Q201    | 8-729-100-67  | TRANSISTOR 2SC1623-L7 |   |    |      |
| Q202    | 8-729-100-67  | TRANSISTOR 2SC1623-L7 |   |    |      |
| Q251    | 8-729-100-67  | TRANSISTOR 2SC1623-L7 |   |    |      |
| Q301    | 8-729-100-67  | TRANSISTOR 2SC1623-L7 |   |    |      |
| Q302    | 8-729-100-67  | TRANSISTOR 2SC1623-L7 |   |    |      |

## ELECTRICAL PARTS

| Ref.No. | Part No.     | Description            |      |    |       |
|---------|--------------|------------------------|------|----|-------|
| Q303    | 8-729-100-67 | TRANSISTOR 2SC1623-L7  |      |    |       |
| Q401    | 8-729-100-67 | TRANSISTOR 2SC1623-L7  |      |    |       |
| Q402    | 8-729-100-67 | TRANSISTOR 2SC1623-L7  |      |    |       |
| Q451    | 8-729-100-67 | TRANSISTOR 2SC1623-L7  |      |    |       |
| Q551    | 8-729-100-67 | TRANSISTOR 2SC1623-L7  |      |    |       |
| Q552    | 8-729-101-07 | TRANSISTOR 2SB798      |      |    |       |
| Q601    | 8-729-100-67 | TRANSISTOR 2SC1623-L7  |      |    |       |
| Q602    | 8-729-106-68 | TRANSISTOR 2SD1615A-GP |      |    |       |
| Q603    | 8-729-102-78 | TRANSISTOR 2SB962      |      |    |       |
| Q604    | 8-729-100-67 | TRANSISTOR 2SC1623-L7  |      |    |       |
| Q605    | 8-729-100-67 | TRANSISTOR 2SC1623-L7  |      |    |       |
| Q606    | 8-729-100-67 | TRANSISTOR 2SC1623-L7  |      |    |       |
| Q801    | 8-729-100-67 | TRANSISTOR 2SC1623-L7  |      |    |       |
| Q802    | 8-729-106-68 | TRANSISTOR 2SD1615A-GP |      |    |       |
| Q803    | 8-729-103-72 | TRANSISTOR 2SD1005     |      |    |       |
| Q804    | 8-729-100-67 | TRANSISTOR 2SC1623-L7  |      |    |       |
| Q805    | 8-729-301-87 | TRANSISTOR 2SD1083L    |      |    |       |
| Q806    | 8-729-301-87 | TRANSISTOR 2SD1083L    |      |    |       |
| Q851    | 8-729-103-52 | TRANSISTOR 2SC1654     |      |    |       |
| Q852    | 8-729-100-67 | TRANSISTOR 2SC1623-L7  |      |    |       |
| Q853    | 8-729-100-67 | TRANSISTOR 2SC1623-L7  |      |    |       |
| Q854    | 8-729-100-67 | TRANSISTOR 2SC1623-L7  |      |    |       |
| Q855    | 8-729-216-22 | TRANSISTOR 2SA1162     |      |    |       |
| Q856    | 8-729-204-19 | TRANSISTOR 2SC3073-Y   |      |    |       |
| Q857    | 8-729-102-78 | TRANSISTOR 2SB962      |      |    |       |
| Q858    | 8-729-100-67 | TRANSISTOR 2SC1623-L7  |      |    |       |
| Q859    | 8-729-216-22 | TRANSISTOR 2SA1162     |      |    |       |
| Q860    | 8-729-103-52 | TRANSISTOR 2SC1654     |      |    |       |
| R151    | 1-216-214-00 | METAL CHIP             | 4.7K | 5% | 1/8W  |
| R152    | 1-216-214-00 | METAL CHIP             | 4.7K | 5% | 1/8W  |
| R153    | 1-216-198-00 | METAL CHIP             | 1K   | 5% | 1/8W  |
| R154    | 1-216-198-00 | METAL CHIP             | 1K   | 5% | 1/8W  |
| R155    | 1-216-202-00 | METAL CHIP             | 1.5K | 5% | 1/8W  |
| R156    | 1-216-174-00 | METAL CHIP             | 100  | 5% | 1/8W  |
| R157    | 1-216-053-00 | METAL CHIP             | 1.5K | 5% | 1/10W |
| R158    | 1-216-073-00 | METAL CHIP             | 10K  | 5% | 1/10W |
| R201    | 1-216-180-00 | METAL CHIP             | 180  | 5% | 1/8W  |
| R202    | 1-216-178-00 | METAL CHIP             | 150  | 5% | 1/8W  |
| R203    | 1-216-101-00 | METAL CHIP             | 150K | 5% | 1/10W |
| R204    | 1-216-222-00 | METAL CHIP             | 10K  | 5% | 1/8W  |
| R205    | 1-216-222-00 | METAL CHIP             | 10K  | 5% | 1/8W  |
| R206    | 1-247-799-00 | CARBON                 | 47   | 5% | 1/6W  |
| R207    | 1-216-230-00 | METAL CHIP             | 22K  | 5% | 1/8W  |
| R208    | 1-216-038-00 | METAL CHIP             | 360  | 5% | 1/10W |
| R209    | 1-216-027-00 | METAL CHIP             | 120  | 5% | 1/10W |
| R210    | 1-216-069-00 | METAL CHIP             | 6.8K | 5% | 1/10W |

ELECTRICAL PARTS


| Ref.No. | Part No.     | Description               |      |     |        |
|---------|--------------|---------------------------|------|-----|--------|
| R804    | 1-247-823-00 | CARBON                    | 470  | 5%  | 1/6W   |
| R805    | 1-216-208-00 | METAL CHIP                | 2.7K | 5%  | 1/8W   |
| R806    | 1-216-286-00 | METAL CHIP                | 4.7M | 5%  | 1/8W   |
| R807    | 1-216-286-00 | METAL CHIP                | 4.7M | 5%  | 1/8W   |
| R808    | 1-202-727-00 | SOLID                     | 4.7M | 10% | 1/2W   |
| R809    | 1-216-190-00 | METAL CHIP                | 470  | 5%  | 1/8W   |
| R810    | 1-216-182-00 | METAL CHIP                | 220  | 5%  | 1/8W   |
| R811    | 1-216-158-00 | METAL CHIP                | 22   | 5%  | 1/8W   |
| R812    | 1-216-234-00 | METAL CHIP                | 33K  | 5%  | 1/8W   |
| R813    | 1-216-286-00 | METAL CHIP                | 4.7M | 5%  | 1/8W   |
| R851    | 1-216-166-00 | METAL CHIP                | 47   | 5%  | 1/8W   |
| R852    | 1-216-230-00 | METAL CHIP                | 22K  | 5%  | 1/8W   |
| R853    | 1-216-248-00 | METAL CHIP                | 120K | 5%  | 1/8W   |
| R854    | 1-216-218-00 | METAL CHIP                | 6.8K | 5%  | 1/8W   |
| R855    | 1-216-250-00 | METAL CHIP                | 150K | 5%  | 1/8W   |
| R856    | 1-216-260-00 | METAL CHIP                | 390K | 5%  | 1/8W   |
| R857    | 1-216-255-00 | METAL CHIP                | 240K | 5%  | 1/8W   |
| R858    | 1-216-264-00 | METAL CHIP                | 560K | 5%  | 1/8W   |
| R859    | 1-216-222-00 | METAL CHIP                | 10K  | 5%  | 1/8W   |
| R860    | 1-216-202-00 | METAL CHIP                | 1.5K | 5%  | 1/8W   |
| R861    | 1-216-206-00 | METAL CHIP                | 2.2K | 5%  | 1/8W   |
| R862    | 1-216-232-00 | METAL CHIP                | 27K  | 5%  | 1/8W   |
| R863    | 1-216-240-00 | METAL CHIP                | 56K  | 5%  | 1/8W   |
| R864    | 1-216-244-00 | METAL CHIP                | 82K  | 5%  | 1/8W   |
| R865    | 1-216-202-00 | METAL CHIP                | 1.5K | 5%  | 1/8W   |
| R866    | 1-216-193-00 | METAL CHIP                | 620  | 5%  | 1/8W   |
| R867    | 1-216-226-00 | METAL CHIP                | 15K  | 5%  | 1/8W   |
| R868    | 1-216-230-00 | METAL CHIP                | 22K  | 5%  | 1/8W   |
| R869    | 1-216-234-00 | METAL CHIP                | 33K  | 5%  | 1/8W   |
| R870    | 1-216-206-00 | METAL CHIP                | 2.2K | 5%  | 1/8W   |
| R871    | 1-247-083-00 | CARBON                    | 10   | 5%  | 1/4W   |
| R872    | 1-247-071-00 | CARBON                    | 1    | 5%  | 1/4W   |
| R873    | 1-216-202-00 | METAL CHIP                | 1.5K | 5%  | 1/8W   |
| R874    | 1-216-214-00 | METAL CHIP                | 4.7K | 5%  | 1/8W   |
| R875    | 1-216-246-00 | METAL CHIP                | 100K | 5%  | 1/8W   |
| R876    | 1-216-278-00 | METAL CHIP                | 2.2M | 5%  | 1/8W   |
| R877    | 1-216-234-00 | METAL CHIP                | 33K  | 5%  | 1/8W   |
| R878    | 1-216-202-00 | METAL CHIP                | 1.5K | 5%  | 1/8W   |
| R879    | 1-216-194-00 | METAL CHIP                | 680  | 5%  | 1/8W   |
| R880    | 1-216-255-00 | METAL CHIP                | 240K | 5%  | 1/8W   |
| R881    | 1-216-256-00 | METAL CHIP                | 270K | 5%  | 1/8W   |
| R901    | 1-247-791-00 | CARBON                    | 22   | 5%  | 1/6W   |
| RV151   | 1-230-397-11 | RES, VAR, CARBON(WITH SW) | 200K |     | TUNING |
| RV152   | 1-230-611-11 | RES, ADJ, CARBON          | 100K |     |        |
| RV153   | 1-230-612-11 | RES, ADJ, CARBON          | 200K |     |        |

ELECTRICAL PARTS

| Ref.No. | Part No.       | Description                  |
|---------|----------------|------------------------------|
| RV154   | 1-230-612-11   | RES, ADJ, CARBON 200K        |
| RV155   | 1-230-611-11   | RES, ADJ, CARBON 100K        |
| RV201   | 1-230-510-11   | RES, ADJ, CARBON 10K         |
| RV401   | 1-226-430-00   | RES, ADJ, CARBON 5K          |
| RV451   | 1-228-572-00   | RES, VAR, CARBON 10K, VOL    |
| RV501   | 1-230-503-11   | RES, ADJ, CARBON 10K         |
| RV502   | 1-226-430-00   | RES, ADJ, CARBON 5K          |
| RV552   | 1-230-653-11   | RES, ADJ, CARBON 1K          |
| RV554   | 1-230-601-11   | RES, ADJ, CARBON 50K         |
| RV601   | 1-230-599-11   | RES, ADJ, CARBON 5K          |
| RV603   | 1-230-653-11   | RES, ADJ, CARBON 1K          |
| RV604   | 1-230-503-11   | RES, ADJ, CARBON 10K         |
| RV801   | 1-230-241-00   | RES, ADJ, CARBON 4.7M        |
| RV802   | 1-230-241-00   | RES, ADJ, CARBON 4.7M        |
| RV852   | 1-226-434-00   | RES, ADJ, CARBON 100K        |
| RV855   | 1-230-611-11   | RES, ADJ, CARBON 100K        |
| S151    | 1-554-222-00   | SWITCH, SLIDE, BAND SELECT.  |
| S601    | 1-554-358-00   | SWITCH, PUSH, POWER          |
| SP901   | 1-503-408-11   | SPEAKER                      |
| T601    | 1-447-984-11   | TRANSFORMER, DC-DC CONVERTER |
| T801    | 1-439-350-11   | TRANSFORMER ASSY, FLYBACK    |
| V901    | 1-8-736-851-05 | CRT 04JM                     |

ACCESSORY & PACKING MATERIAL

| Part No.      | Description                    |
|---------------|--------------------------------|
| 1-528-100-00  | BATTERY, ALKALINE MANGANESE    |
| 3-323-930-01  | STRAP                          |
| 3-323-931-01  | CASE, CARRYING                 |
| 3-323-933-01  | INDIVIDUAL CARTON              |
| 3-323-935-01  | CUSHION (LEFT)                 |
| 3-323-936-01  | CUSHION (RIGHT)                |
| *3-546-434-00 | BAG, POLYETHYLENE              |
| 3-701-622-00  | BAG, POLYETHYLENE              |
| 3-760-128-21  | MANUAL, INSTRUCTION            |
| 3-795-748-21  | SAFETY INSTRUCTIONS, HEADPHONE |
| 4-491-213-22  | INSTRUCTION                    |

The components identified by shading and mark  are critical for safety. Replace only with part number specified.